

PAR46 LED Taxi / Turn-Off Light

A drop-in replacement for the 4554/Q4554 quartz halogen lamp series

Hoffman Engineering's PAR46 LED light uses existing PAR46 lamp mounting and electrical connections, requiring no modification for installation.

This light substantially reduces power consumption from 450 watts to 84 watts and boasts a significantly higher lumen output at a lower operating current than the standard 4554/Q4554 with an equivalent beam pattern.

Additionally, Hoffman's PAR46 LED offers an extremely long service life with multiple high powered LEDs. With these high color temperature LEDs, Hoffman's PAR46 LED Light provides superior visibility and color rendering. This solid-state solution is resistant to the effects of shock and vibration that can contribute to the reduced service life of the 4554/Q4554 series lamp.

Benefits To You:

- In excess of 25,000 operating hours compared to 100 operating hours of existing lamps
- Significant return on investment
- >500% power saving
- 25,000 hours lifespan
- 89 Lumens / Watt

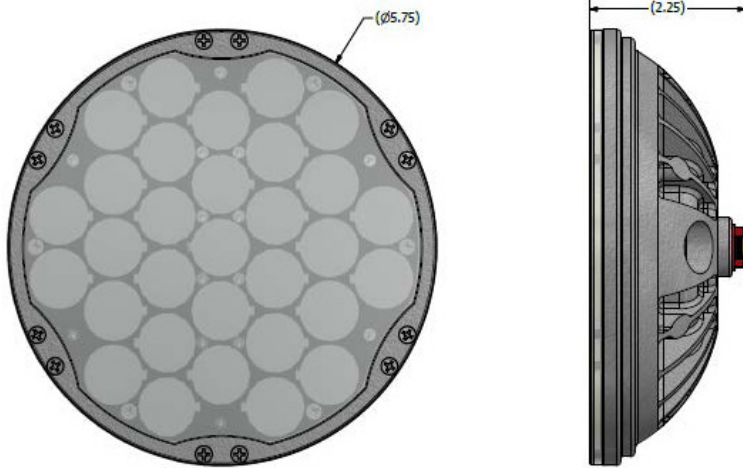


Part No 751-1022-002

PAR46 LED Taxi / Turn-Off Light

A drop-in replacement for the 4554/Q4554 quartz halogen lamp series

LED Technical Data



Construction	
Housing	6061-T6 Aluminium
Finish	Anodized
Weight	1.27 lb (576g)
Diameter	5.75 inches
Lens	TIR

Electrical			
Voltage	Current	Lumens	Beam Spread
28 VAC/VDC	3.0A	7,500	50°H x 10°W

Performance Category	Hoffman PAR36 LED	Comparison Lamp (GE 4626)
Life Span (Average)	>25,000 Hrs	100 Hrs
Power Usage	84 Watts	450 Watts
Bulbs Required (25,000 Hrs)	1	250
Light Output		
Efficacy (Lumens/Watt)	89 L/W (7500 L/84 W)	10 L/W (4380 L/450 W)
Lumen Maintenance	Minimal (10% decrease over life)	Significant (50% decrease after 30% of life)
Color Temperature	High Color Temperature: 5500K	Warm White: 3000K
Visual Acuity	Very high	Nominal
Durability		
Fragility	Extremely durable	Extremely fragile
Temperature Sensitivity	Impervious to thermal shock	Responds poorly to thermal shock
Humidity Sensitivity	None	Some (in high humidity)
On/Off Cycling Effect	No damage to surrounding structures	May damage surrounding structures
Lens	Military grade/shatterproof	Glass
Reliability		
Mechanical Failure	Maintenance-free	Requires managing inventories
Redundancy	Install once and forget it	Requires frequent inventories

LightingProductLine@boeing.com

For more information, call: 1-305-925-2600

AOG: 1-972-586-1566



boeingdistribution.com